

UTP101P-HD3



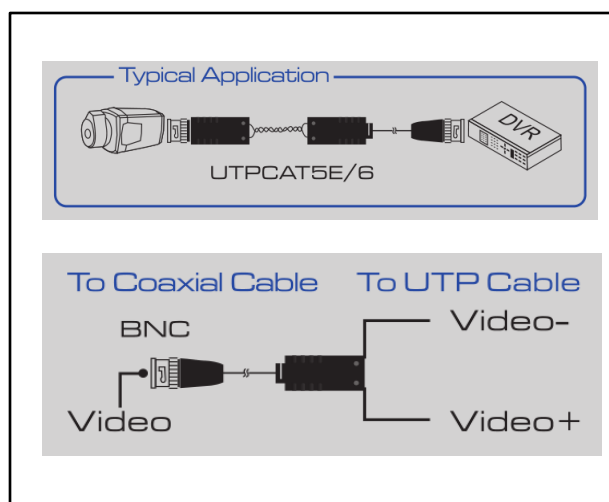
- Passive, no power required;
- Plug-and-play; Real-time and stable HDCVI/HDTV/AHD/Analog transmission result;
- 500m matches the passive transceiver; 650m matches active transceiver;
- Excellent anti-interference , surge protection, ESD and lightning protection capability;
- ABS (Acrylonitrile-Butadiene-Styrene) shell; built-in extended coaxial cable, convenient for intensive engineering projects;
- Bayonet Nut Connector (BNC); press-fitting UTP terminal.



Specification

Item	UTP101P-HD3
Video Port	1 channel
Maximum Transmission Distance (with passive product)	HDCVI-720P:500m;HDCVI-1080P:150m; HDTV-720P/1080P: 240m; AHD-720P/960P: 500m; AHD-1080P:420m Analog Video:600m;
Coaxial Video Port	Male BNC Port
Twisted-pair Video Port	2-channel screw push terminal
Video Compatibility	HDCVI/HDTV/AHD, PAL/NTSC/SECAM Video
Bandwidth	0 ~ 75MHz
Anti-interference	>60dB
Coaxial Port Protection	2KV Per: IEC61000-4-5
Twisted-pair Port Protection	2KV(different mode) 4KV(common mode) Per: IEC61000-4-5
ESD	Level 3,1a Contact Discharge, Level 3,1b Air Discharge
Working Temperature	-10 ~ 55°C
Storage Temperature	-20°C~70°C
Humidity (Non-condensing)	0 ~ 95%
Out Shell	ABS
Weight	23g

Application



Package List

Designation	Quantity
UTP101P-HD3	2
User Manual	1

Related Products

Designation	Model
Passive Analog HD-Video UTP Transceiver	UTP101P-HD
Passive Analog HD-Video UTP Transceiver	UTP101P-HD1
Passive Analog HD-Video UTP Transceiver	UTP101P-HD2