



HDMI SPLITTER

VER 1.4

User Manual

HDMI SPLITTER 1 TO 2

HDMI SPLITTER 1 TO 4

HDMI SPLITTER 1 TO 8



DEAR CUSTOMER

Thank you for purchasing this product. For optimum performance and safety, please read these instructions carefully before connecting, operating or adjusting this product. Please keep this manual for future reference.

FEATURES

1. Easy to use: No need for settings
2. Distribution: Four identical HDMI outputs
3. Cascade: Large distribution achieved by stacking
4. HDCP compliant
5. HDMI 1080P compatible

TABLE OF CONTENTS

1. Introduction
2. Package Contents
3. Panel Descriptions
4. Connecting and Operating
5. Specifications
6. Typical Application
7. Maintenance
8. Product Service

WARNING

To reduce the risk of fire, electric shock or product damage:

1. Do not expose this apparatus to rain, moisture, dripping or splashing. No objects filled with liquids, such as vases, shall be placed on the unit.
2. Do not install or place this unit in a bookcase, built-in cabinet or in another confined space. Ensure the unit is well ventilated.

3. To prevent risk of electric shock or fire hazard due to overheating, do not obstruct the unit ventilation openings with newspapers, tablecloths, curtains, and similar items.
4. Do not install near any heat sources such as radiators, heat registers, stoves, or heat producing items.
5. Clean it only with a dry cloth.
6. Unplug it from the mains during lightning storms or when unused for long periods of time.
7. Protect the power cord from being pinched.

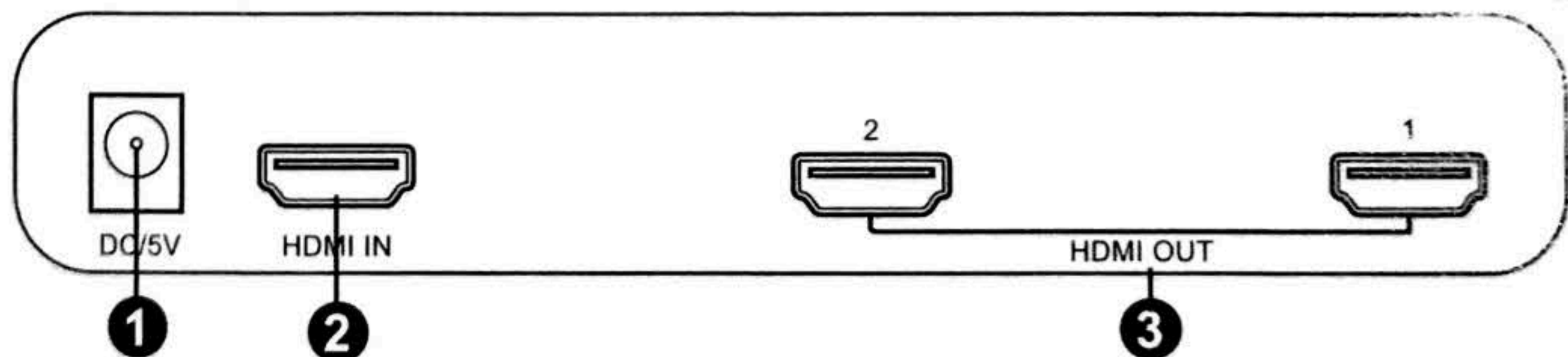
INTRODUCTION

1. 4 way HDMI splitter, distributes the input HDMI signals to 2/4/8 identical HDMI outputs. These 2/4/8 outputs are synchronized.
2. Best solutions for digital entertainment center, HDTV retail and show site, HDTV, STB, DVD, PS3 and Projector factory, space and security concerns data center control, distribution, conference room presentation, school and corporate training environments.

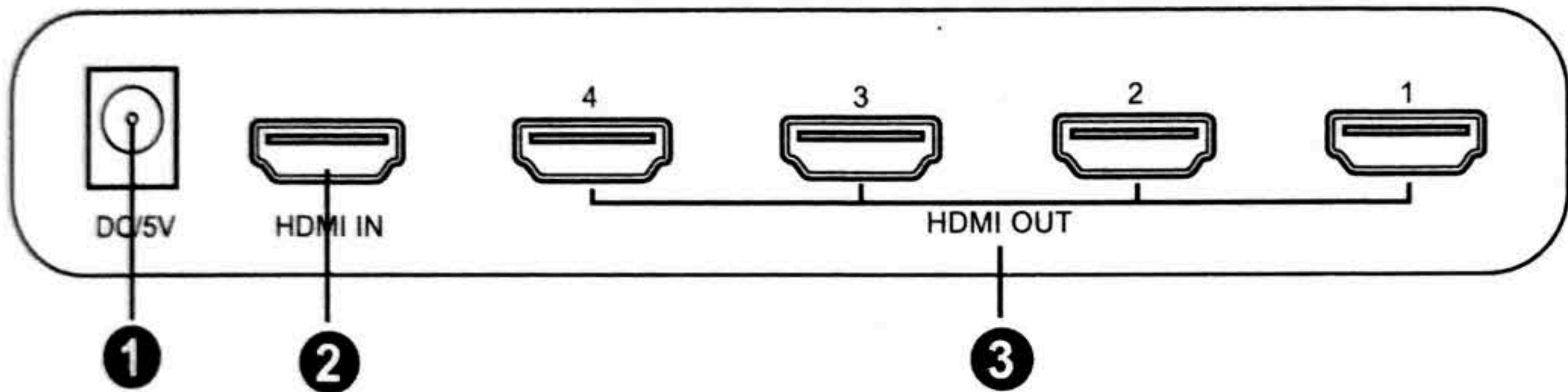
PACKAGE CONTENTS

1. Main Unit
 3. Operating Instructions
- * Cables are optional

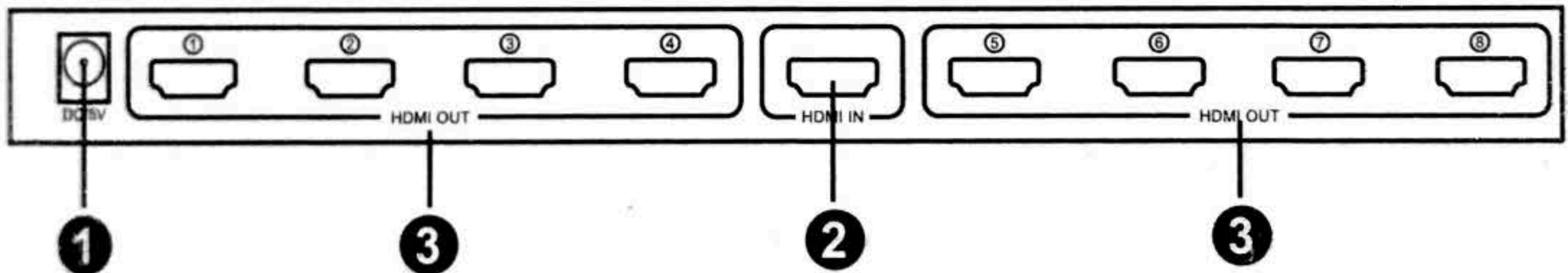
REAR PANEL (HDMI SPLITTER 1 TO 2)



REAR PANEL (HDMI SPLITTER 1 TO 4)



REAR PANEL (HDMI SPLITTER 1 TO 8)



1. Power Input Port
2. HDMI Input Port
3. HDMI Output Ports

CONNECT AND OPERATE

1. Connect the HDMI input source into HDMI Splitter Box. Input cable is optional.
2. Connect the HDMI output equipments into HDMI Splitter Box. (output cables are optional)
3. Insert the DC side of 5V power supply into HDMI Splitter Box and then connect the AC side of the power supply into the wall outlet.

Attention: Insert / Extract cables gently.

SPECIFICATIONS

1. Operating Temperature Range
-5 to +35°C (-41 to +95°F)
2. Operating Humidity Range
5 to 90% RH (no condensation)
3. Video Amplifier Bandwidth
2.5 GHz.
4. Input Video Signal
0.5 ~ 1.0 volts p-p
5. Input DDC Signal
5 volts p-p (TTL)
6. Maximum Single Link Range
3840 x 2160
7. Video Format Supported
640 x 480, 800 x 600, 1024 x 768, 1280 x 1024, 3840x2160
8. Video Format Supported DTV / HDTV
480i / 576i / 480p / 576p / 720p / 1080i / 1080p/4k
9. Output Video
HDMI + HDCP 1.0/,1.1 /1.2/1.2a/1.3/1.4
10. Vertical Frequency Range
30 Hz / 60 Hz / 85 Hz

11. Power Supply

5V DC

MAINTENANCE

Clean this unit with a soft, dry cloth. Never use alcohol, paint thinner or benzene to clean this unit.

PRODUCT SERVICE

1. Damage requiring service: The unit should be serviced by qualified service personnel if:

- (a) The DC power supply cord or AC adaptor has been damaged.
- (b) Objects or liquids have gotten into the unit.
- (c) The unit has been exposed to rain.
- (d) The unit does not operate normally or exhibits a marked change in performance.
- (e) The unit has been dropped or the cabinet damaged.

2. Servicing Personnel: Do not attempt to service the unit by yourself. Refer to authorized servicing personnel only.

3. Safety check; After repairs or service, ask the servicer to perform safety checks to confirm that the unit is in proper working condition.